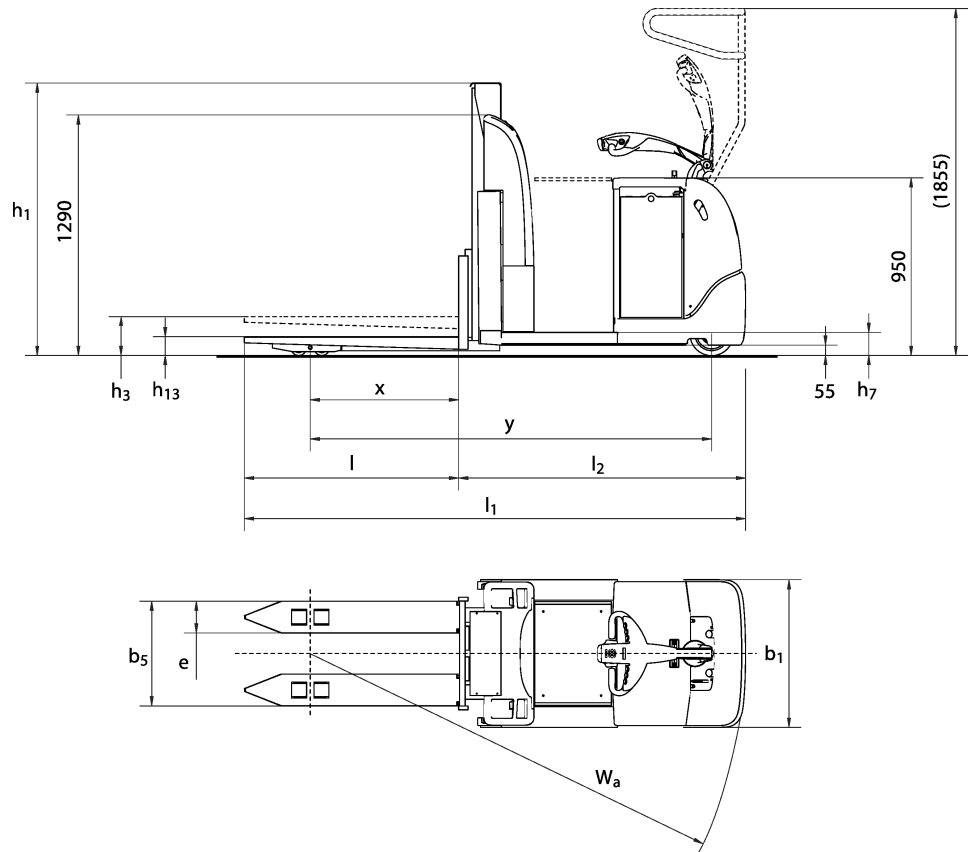


LOW LEVEL ORDER PICKER

PPC JN

The ideal alternative for picking from level 1 and 2. Driver- and forklift create an ergonomic and efficient combination. 1200 kg.



Mast type	Lift height H	Height of mast lowered h1	Max mast height h4
Standard/Duplex			
Triplex			

Distinguishing mark	Specification			PPC JN		
	1.2	Manufacturer's type designation				
1.3	Drive: electric (battery or mains), diesel, petrol, fuel gas			Electric		
1.4	Operator type: hand, pedestrian, standing, seated, order-picker			Hand		
1.5	Load capacity/rated load	Q	t	1,2		
1.6	Load centre distance	c	mm	600		
1.8	Load distance, centre of load axle to fork	X		650 - 1050		
1.9	Wheelbase	y	mm	1277 + x		
Weight	2.1	Service weight incl battery		kg	1265	
	2.2	Axle load, with load, front/rear		kg		
	2.3	Axle load, without load, front / rear		kg	940 / 1470	
	2.4	Axle load, fork outreached with load, front / rear		kg	850 / 415	
	2.5	Axle load, fork retracted with load, front / rear		kg		
Tyres, chassis	3.1	Tyres			Vulcollan	
	3.2	Tyre size, drive side		mm	Ø 230x90	
	3.3	Tyre size, load side		mm	Ø 85x70	
	3.4	Dimensions additional wheels (castor wheels)		mm	Ø 150x55	
	3.5	Wheels, number front/rear (drive side/load side, x = driven wheels)			1x 1/4	
	3.6	Track, drive side	b10	mm		
	3.7	Track, load side	b11	mm		
Dimensions	4.1	Tilt of mast/fork carriage, forward/backward		Grad		
	4.2	Height, mast lowered		h1	mm	
	4.3	Free lift		h2	mm	
	4.4	Lift height H = h1+h3		H	mm	950
	4.5	Height, mast extended		h4	mm	1502
	4.6	Straddle lift		h5	mm	
	4.7	Height of overhead guard (cabin)		h6	mm	
	4.8	Seat height/stand height		h7	mm	123 - 146
	4.10	Height of wheel arms		h8	mm	80
	4.11	Additional lift		h9	mm	
	4.14	Stand height, elevated		h12	mm	
	4.15	Height lowered		h13	mm	85
	4.19	Overall length		l1	mm	1455 + l
	4.20	Length to face of forks		l2	mm	1455
	4.21	Overall width		b1	mm	790
	4.21.1	Width over stabilizers			mm	
	4.22	Fork dimensions		s/e/l	mm	65 / 170-175 / 1000-2165
	4.23	Fork carriage to ISO 2328, clas / form A, B				
	4.24	Width of fork carriage		b3	mm	
	4.25	Width over forks, min/max		b5	mm	540 / 700
	4.26	Distance between wheel arms		b4	mm	V-340/350
	4.27	Width across guide rolls		b6	mm	
	4.28	Reach distance		l4	mm	
	4.29	Reach lateral		b7	mm	
	4.30	Reach lateral from vehicle centerline		b8	mm	
	4.31	Ground clearance, mast		m1	mm	
	4.32	Ground clearance, centre of wheelbase		m2	mm	30
	4.33	Aisle width with pallet 1000 x 1200, crosswise		Ast	mm	3081
	4.34	Aisle width for pallet 800 x 1200, lengthwise		Ast	mm	3102
		Transfer aisle		0	mm	
	4.35	Turning radius		Wa	mm	1455 + x
	4.37	Length incl reach legs		l7	mm	
	4.38	Distance to swivelling-fork pivot		0	mm	
Performance data	5.1	Travel speed, with/without load		km/h	10,5 / 12,0	
	5.1.1	Travel speed with/without load, backwards		km/h		
	5.2	Lift speed, with/without load		m/s	0,13 / 0,22	
	5.3	Lowering speed, with/without load		m/s	0,11 / 0,01	
	5.4	Reach speed, with / without load		m/s		
	5.7	Gradient, with/without load		%	9 / 15	
	5.8	Max gradeability, with / without load, 5 min rating		%		
	5.9	Acceleration time 0-10 m, with/without load		s		
	5.10	Service brake: electric, hydraulic			Electric	
	5.10.1	Parking brake: electric, hydraulic			Electric	
Electric engine	6.1	Drive motor, rating S2 60 min		kW	2,2 AC	
	6.2	Lift motor		kW	2,2	
	6.3	Battery according to DIN 43531/35/36		A,B,C		
	6.4	Battery voltage / Battery capacity		V/Ah	24 / 300-400	
	6.5	Battery weight		kg	393	
	6.6	Power consumption according to VDI cycle		kWh/h		
Additional data	8.1	Speed regulation			AC Transistor	
	10.1	Operating pressure attachments		bar	160	
	10.2	Oil flow for attachments		l/min		
	10.7	Noise level at operator's ear, according to EN 12 053		db(A)		

* Varies according to battery size

All rights reserved to change above specification