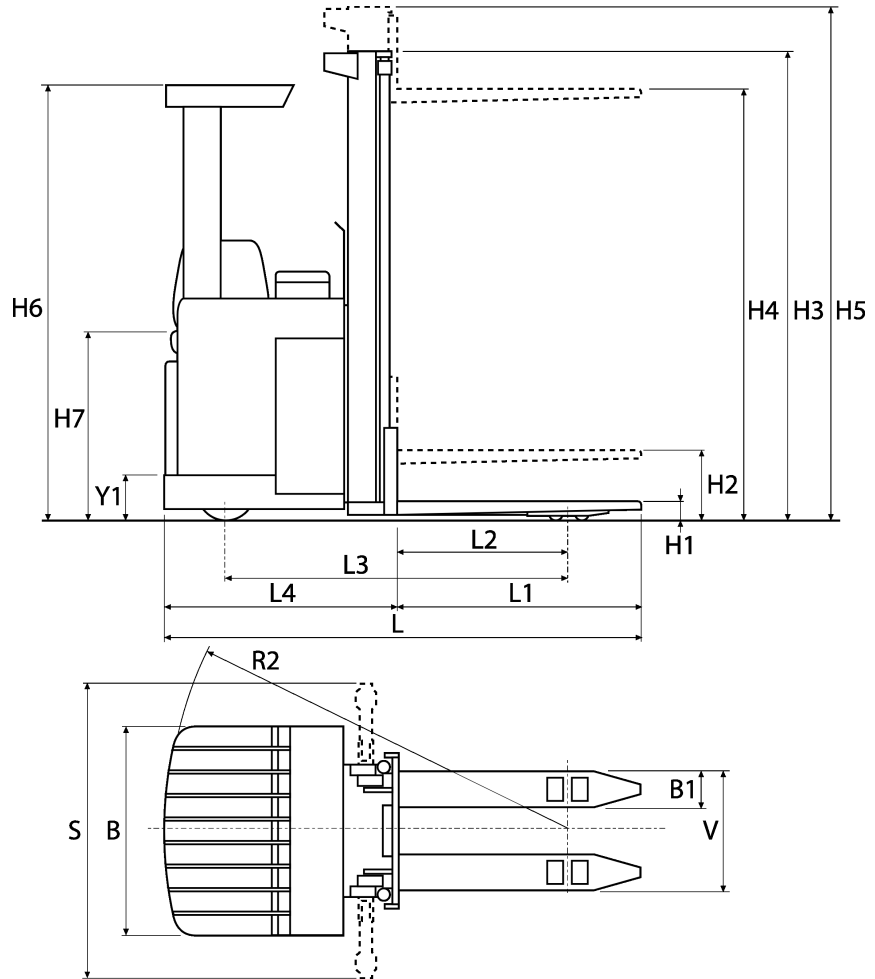


# SIT-ON STACKER



## ERGO XJN 160S DTFV

The most economical, comfortable and productive stacker for long work cycles; remarkably compact with high handling efficiency. Many options available.



Mast Type	Standard lift height H4	Min mast height	Max mast height H5
Telescopic			
Double telescopic			

		Specification			ERGO XJN 160SDFV	
Lift capacities	0a	Straddle leg position			Narrow	
	1	Lift capacity	Q	kg	1600	
	1a	Load centre	D	mm	600	
	2	Lift height	H4	mm	See table	
	2a	Mast height	H3/H5	mm	See table	
	2b	Transport free lift	H2 TV mast	mm		
	2c	Full free lift	H2 DT mast	mm	H3-480	
	2d	Straddle lift		mm		
	3	Mast tilt. Forward - backward				
	3a	Tilting forks. Forward - backward				
	4	Lift speed. Without load - with load		m/s	0,27-0,15 / 0,33-0,17	
	4a	Lift time. Without load - with load		s		
4b	Lift speed, ergolift. Without load - with load		m/s			
5	Lowering speed. Without load - with load		m/s	0,30 - 0,60		
5a	Lowering time. Without load - with load		s			
Drive capacities	6	Drive speed. Without load - with load		km/h	10-9 / 11-9	
	6a	Drive speed. Without load - with load		m/s		
		Acceleration 0-10 m				
		Without load - with load		s		
	8	Gradient, without load / with load	max	%	7	
	10	Turning radius	R2	mm	1793	
	11	Smallest practical stacking aisle incl 200 mm play				
		Load length 1200 mm	Ast	mm	2393	
		Load length 1000 mm	Ast	mm	2193	
		Load length 800 mm	Ast	mm	1993	
		Aisle width requirement according to BITA GN9 UK market only	A1	mm		
			A2	mm		
		A3	mm			
	Smallest practical stacking aisle with pallet LL 1200 with the platform folded up/folded down	Min	mm			
11a	Intersecting aisle width. Load length 1200 mm	Min	mm			
11c	Max load length	LL	mm			
11d	Max load width	LB	mm			
Truck measurements	13	Height of overhead guard	H6	mm	2110	
	13a	Height of driver seat	H7	mm	900-1000	
	13b	Step-in height	Y1	mm	350-430	
	13c	Floor height		mm		
	13d	Width of open gate		mm		
	14	Truck length	L	mm	2143	
	15	Truck width	B	mm	1010	
	15a	Width over guide wheels	A	mm		
	15b	Width over stabilisers	S	mm	1415	
	15c	Platform length		mm		
	15d	Platform width	B3	mm		
	15e	Height of platform gates		mm		
	16	Fork length	L1	mm	1000 / 1150	
	17	Width over forks	V max/min	mm	560	
	17a	Width between forks		mm	220	
	18	Reach length	U	mm		
	19	Distance from back plate to retracted fork heel	L4 T-mast	mm		
		Distance from back plate to retracted fork heel	L4 DT-mast	mm	993	
	20	Fork arm, width - thickness	B1	mm	170 - 70	
	20a	Fork height, lowered, max	H1	mm	89	
	21	Straddle height	H8	mm	80	
	22	Width between straddles	B2	mm	265	
22a	Width over straddles		mm	515		
23	Distance between front axle and retracted fork heel	L2	mm	650 / 800		
23a	Distance between front axle and centre of attachment	L2	mm			
23b	Distance between front axle and heel of extended fork	X1	mm			
24	Axle distance	L3	mm	1600		
25	Wheel track, front rear (centre lines wheels)		mm	390 - 685		
26	Ground clearance at half axle distance		mm	25		
Weights	27	Total weight with-without battery.			kg	1750 - 1350
	28	Max axle pressure, fork side, without/ with classified load			kg	400 - 1900
	29	Max axle load, drive side, without/with classified load			kg	1170 - 1330
	30	Max wheel point loading, without/with classified load			MPa	3.7 / 5.9
Motors	39	Battery capacity			kWh/Ah	5,7-11,1 / 240-465
	39a	Battery voltage			V	24
	41	Drive motor			kW	2,4 AC
	42	Speed regulation				Transistor
	43	Lift motor. Output/Interm. conn.time			kW-%/min	4,5-12/10 / 7,6-12/10
43a	Hydraulic pressure			MPa	17,5	
Steering/brake system	44	Wheel type, drive wheel/others				Rubber/Vulcollan
	44a	Number of wheels, drive/castor - load wheels				3 - 4
	45	Wheel dimensions				
	45a	Load wheels - diameter x width			mm	(4) x 85x75
	45b	Drive wheel - diameter x width			mm	(1) x 250x80
	45c	Castor wheels - diameter x width			mm	(2) x 150x60
	46	Steering				El. servo
47	Service brake - Type-acting on				El. - drive motor	
48	Parking brake - Type-acting on.				Mech. - drive motor	

\* Varies according to battery size

All rights reserved to change above specification