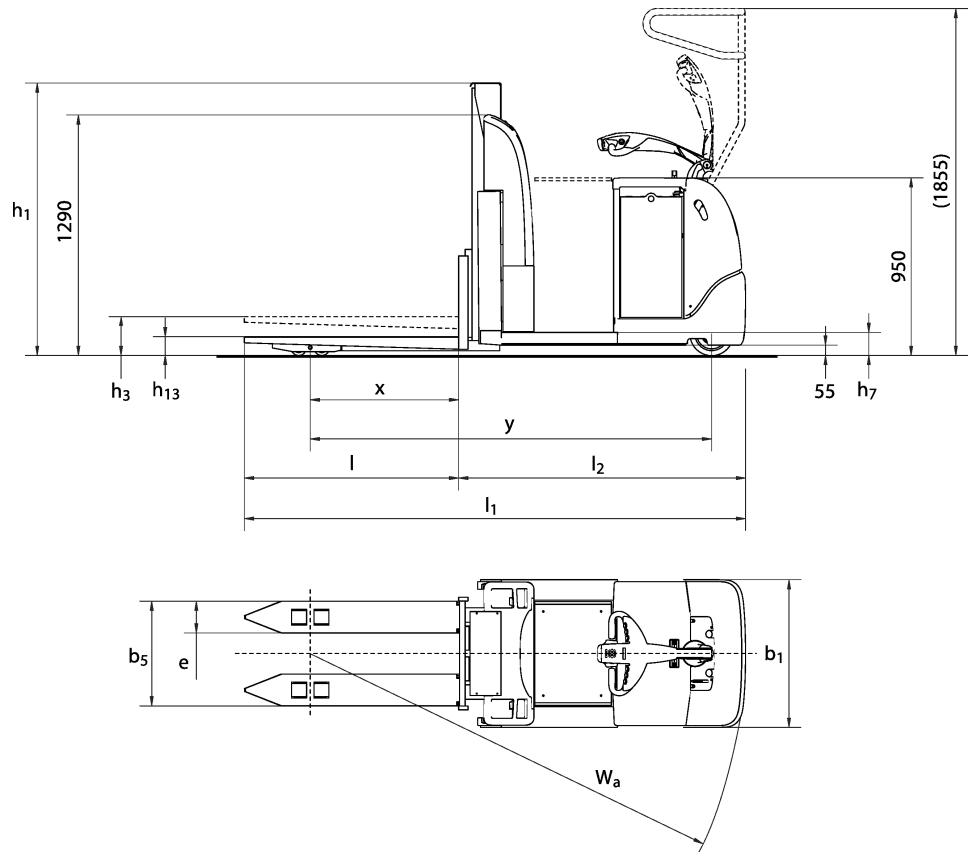


LOW LEVEL ORDER PICKER

PPL 200 JN



Efficient picking machine with highest performance. Lowlifting model with tiller arm or Ergo steering as option. AC powered, truck computer ATC and Friction Force for optimum drive wheel pressure.



Mast type	Lift height H	Height of mast lowered h_1	Max mast height h_4
Standard/Duplex			
Triplex			

Distinguishing mark	0	Specification		PPL 200 JN	
	1.2	Manufacturer's type designation			
	1.3	Drive: electric (battery or mains), diesel, petrol, fuel gas		Electric	
	1.4	Operator type: hand, pedestrian, standing, seated, order-picker		Hand	
	1.5	Load capacity/rated load	Q	t	2,0
	1.6	Load centre distance	c	mm	600
	1.8	Load distance, centre of load axle to fork	X		975 - 1465
	1.9	Wheelbase	y	mm	1170 + x
	Weight	2.1	Service weight incl battery		kg
2.2		Axle load, with load, front/rear		kg	
2.3		Axle load, without load, front / rear		kg	1070 / 2045
2.4		Axle load, fork outreached with load, front / rear		kg	795 / 295
2.5		Axle load, fork retracted with load, front / rear		kg	
Tyres, chassis	3.1	Tyres			Vulcollan
	3.2	Tyre size, drive side		mm	Ø 230x90
	3.3	Tyre size, load side		mm	Ø 85x70
	3.4	Dimensions additional wheels (castor wheels)		mm	Ø 150x55
	3.5	Wheels, number front/rear (drive side/load side, x = driven wheels)			1x 1/4
	3.6	Track, drive side	b10	mm	500
	3.7	Track, load side	b11	mm	V-175
Dimensions	4.1	Tilt of mast/fork carriage, forward/backward		Grad	
	4.2	Height, mast lowered	h1	mm	
	4.3	Free lift	h2	mm	
	4.4	Lift height H = h1+h3	H	mm	230
	4.5	Height, mast extended	h4	mm	
	4.6	Straddle lift	h5	mm	
	4.7	Height of overhead guard (cabin)	h6	mm	
	4.8	Seat height/stand height	h7	mm	123 - 146
	4.10	Height of wheel arms	h8	mm	
	4.11	Additional lift	h9	mm	
	4.14	Stand height, elevated	h12	mm	
	4.15	Height lowered	h13	mm	85
	4.19	Overall length	l1	mm	1349 + l
	4.20	Length to face of forks	l2	mm	1349
	4.21	Overall width	b1	mm	790
	4.21.1	Width over stabilizers		mm	
	4.22	Fork dimensions	s/e/l	mm	55 / 175 /1150-2375
	4.23	Fork carriage to ISO 2328, clas / form A, B			
	4.24	Width of fork carriage	b3	mm	
	4.25	Width over forks, min/max	b5	mm	480 / 680
	4.26	Distance between wheel arms	b4	mm	V-350
	4.27	Width across guide rolls	b6	mm	
	4.28	Reach distance	l4	mm	
	4.29	Reach lateral	b7	mm	
	4.30	Reach lateral from vehicle centerline	b8	mm	
	4.31	Ground clearance, mast	m1	mm	
	4.32	Ground clearance, centre of wheelbase	m2	mm	55
	4.33	Aisle width with pallet 1000 x 1200, crosswise	Ast	mm	2630
	4.34	Aisle width for pallet 800 x 1200, lengthwise	Ast	mm	2830
		Transfer aisle	0	mm	
	4.35	Turning radius	Wa	mm	1349 + x
	4.37	Length incl reach legs	l7	mm	
	4.38	Distance to swivelling-fork pivot	0	mm	
Performance data	5.1	Travel speed, with/without load		km/h	10,0 / 12,0
	5.1.1	Travel speed with/without load, backwards		km/h	
	5.2	Lift speed, with/without load		m/s	0,06 / 0,07
	5.3	Lowering speed, with/without load		m/s	0,052 / 0,055
	5.4	Reach speed, with / without load		m/s	
	5.7	Gradient, with/without load		%	7 / 15
	5.8	Max gradeability, with / without load, 5 min rating		%	
	5.9	Acceleration time 0-10 m, with/without load		s	
	5.10	Service brake: electric, hydraulic			Electric
	5.10.1	Parking brake: electric, hydraulic			Electric
Electric engine	6.1	Drive motor, rating S2 60 min		kW	2,2 AC
	6.2	Lift motor		kW	2,2
	6.3	Battery according to DIN 43531/35/36	A,B,C		
	6.4	Battery voltage / Battery capacity		V/Ah	24 / 300-400
	6.5	Battery weight		kg	425
	6.6	Power consumption according to VDI cycle		kWh/h	
Additional data	8.1	Speed regulation			AC Transistor
	10.1	Operating pressure attachments		bar	160
	10.2	Oil flow for attachments		l/min	
	10.7	Noise level at operator's ear, according to EN 12 053		db(A)	

* Varies according to battery size

All rights reserved to change above specification