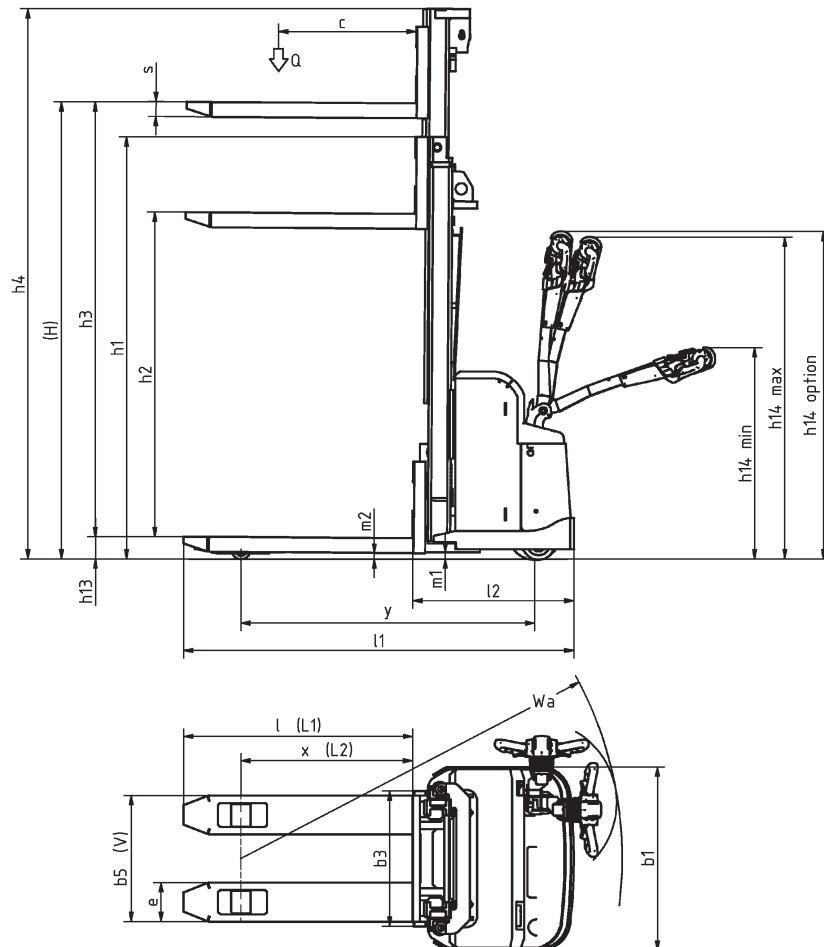


PEDESTRIAN STACKER

PS 125TV

The compact pedestrian stacker for flexible use in tight spaces. Robust, powerful and handy. Offset tiller arm with all controls in the tiller head for easy handling.



Mast type	Lift height H	Height of mast lowered h1	Max mast height h4
Standard/Duplex	2690	1845	3105
	2990	1995	3405
	3290	2150	3710
	3590	2300	4010
	4190	2600	4610
Triplex			

Distinguishing mark	0	Specification		PS 125TV		
	1.2	Manufacturer's type designation				
	1.3	Drive: electric (battery or mains), diesel, petrol, fuel gas		Electric		
	1.4	Operator type: hand, pedestrian, standing, seated, order-picker		Pedestrian		
	1.5	Load capacity/rated load	Q	t	1,25	
	1.6	Load centre distance	c	mm	500 / 600	
	1.8	Load distance, centre of load axle to fork	X		750	
	1.9	Wheelbase	y	mm	1282	
	Weight	2.1	Service weight incl battery		kg	915
2.2		Axle load, with load, front/rear		kg		
2.3		Axle load, without load, front / rear		kg	790 / 1375	
2.4		Axle load, fork outreached with load, front / rear		kg	640 / 275	
2.5		Axle load, fork retracted with load, front / rear		kg		
Tyres, chassis	3.1	Tyres			Vulcollan	
	3.2	Tyre size, drive side		mm	Ø 230x70	
	3.3	Tyre size, load side		mm	Ø 85x99	
	3.4	Dimensions additional wheels (castor wheels)		mm	Ø 140x60	
	3.5	Wheels, number front/rear (drive side/load side, x = driven wheels)			1x 1/2	
	3.6	Track, drive side	b10	mm	523	
	3.7	Track, load side	b11	mm	378	
Dimensions	4.1	Tilt of mast/fork carriage, forward/backward		Grad		
	4.2	Height, mast lowered		h1	mm	See table
	4.3	Free lift		h2	mm	170
	4.4	Lift height H = h1+h3		H	mm	See table
	4.5	Height, mast extended		h4	mm	See table
	4.6	Straddle lift		h5	mm	
	4.7	Height of overhead guard (cabin)		h6	mm	
	4.8	Seat height/stand height		h7	mm	
	4.10	Height of wheel arms		h8	mm	
	4.11	Additional lift		h9	mm	
	4.14	Stand height, elevated		h12	mm	
	4.15	Height lowered		h13	mm	90
	4.19	Overall length		l1	mm	1700 / 1900
	4.20	Length to face of forks		l2	mm	700
	4.21	Overall width		b1	mm	800
	4.21.1	Width over stabilizers			mm	
	4.22	Fork dimensions		s/e/l	mm	65/170/1000 -1200
	4.23	Fork carriage to ISO 2328, clas / form A, B				
	4.24	Width of fork carriage		b3	mm	590
	4.25	Width over forks, min/max		b5	mm	550
	4.26	Distance between wheel arms		b4	mm	
	4.27	Width across guide rolls		b6	mm	
	4.28	Reach distance		l4	mm	
	4.29	Reach lateral		b7	mm	
	4.30	Reach lateral from vehicle centerline		b8	mm	
	4.31	Ground clearance, mast		m1	mm	
	4.32	Ground clearance, centre of wheelbase		m2	mm	25
	4.33	Aisle width with pallet 1000 x 1200, crosswise		Ast	mm	2515 (with option 2435)
	4.34	Aisle width for pallet 800 x 1200, lengthwise		Ast	mm	2465 (with option 2385)
		Transfer aisle		0	mm	
	4.35	Turning radius		Wa	mm	1665 (with option 1585)
	4.37	Length incl reach legs		l7	mm	
	4.38	Distance to swivelling-fork pivot		0	mm	
Performance data	5.1	Travel speed, with/without load		km/h	5.8 / 6	
	5.1.1	Travel speed with/without load, backwards		km/h		
	5.2	Lift speed, with/without load		m/s	0,12 / 0,23	
	5.3	Lowering speed, with/without load		m/s	0,34 / 0,27	
	5.4	Reach speed, with / without load		m/s		
	5.7	Gradient, with/without load		%	6 / 15	
	5.8	Max gradeability, with / without load, 5 min rating		%		
	5.9	Acceleration time 0-10 m, with/without load		s	8,0 / 6.9	
	5.10	Service brake: electric, hydraulic			Electric	
	5.10.1	Parking brake: electric, hydraulic			Electric	
Electric engine	6.1	Drive motor, rating S2 60 min		kW	1,3 AC	
	6.2	Lift motor		kW	2,2	
	6.3	Battery according to DIN 43531/35/36		A,B,C		
	6.4	Battery voltage / Battery capacity		V/Ah	24 / 150-230	
	6.5	Battery weight		kg	140-215	
	6.6	Power consumption according to VDI cycle		kWh/h		
Additional data	8.1	Speed regulation			AC	
	10.1	Operating pressure attachments		bar		
	10.2	Oil flow for attachments		l/min		
	10.7	Noise level at operator's ear, according to EN 12 053		db(A)		

* Varies according to battery size

All rights reserved to change above specification